

KENCO SLAB LIFT

170 STATE ROUTE 271 - LIGONIER, PA 15658

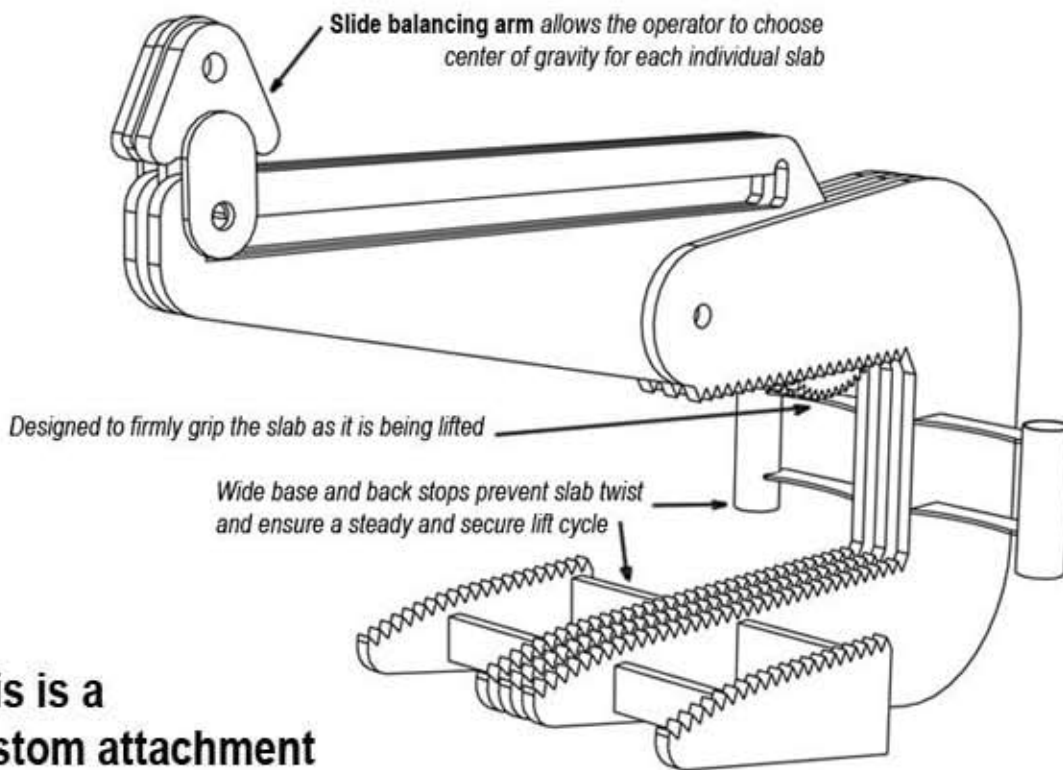
TOLL FREE 1-800-653-6069

FAX 724-238-3187 www.kenco.com

The Industry's **ONLY** Horizontal Slab Lifter

**KEEPS CONCRETE SLABS
HORIZONTAL FOR
LOADING/STACKING
OPERATIONS**

Developed for concrete slabs
such as suspended bridge decks
that must be lifted from one side.



**This is a
custom attachment
and is built to
definitive
job specifications**

Use your smartphone
to scan here and go
straight to our Kenco
product page

