

URW094CE MINI-CRAWLER CRANE

SPYDERCRANE

TECHNICAL SPECIFICATIONS
ASME/B-30.5 Compliant

23" wide
Small enough to fit in
a **Standard Elevator**



22ft
Tip Height

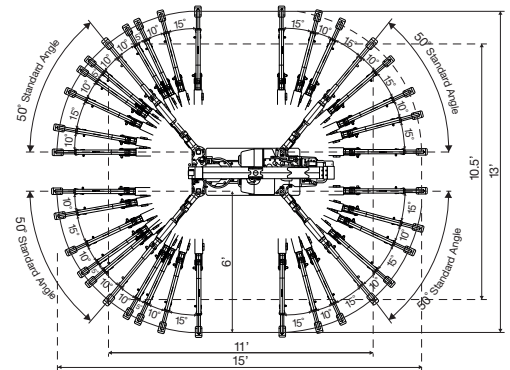
2,190 lbs
Capacity



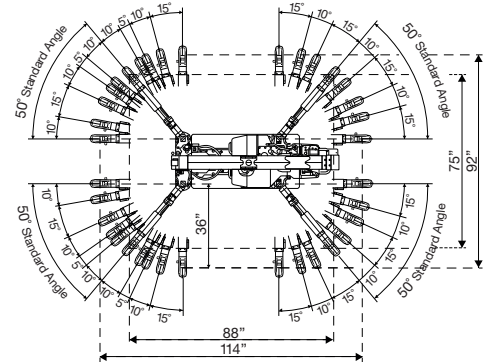
U-WAVE
Wireless Radio
Remote Control



Battery Powered with
110V Charging System



OUTRIGGER POSITIONS (MAXIMUM EXTENSION)



OUTRIGGER POSITIONS (MINIMUM EXTENSION)

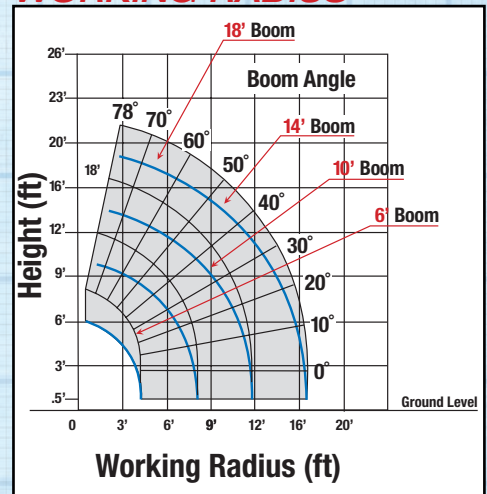
62 Possible
Outrigger Positions

zero
emissions

LOAD CHART Lifting capacity varies depending on outrigger configuration, boom length and angle.

ALL BOOMS RETRACTED AND SECOND STAGE EXTENDED									
Working Radius (ft.)	3	3.5	4	4.25	4.5				
Outriggers Maximum (lbs.)	2,190	2,190	2,190	2,190	2,190				
Outriggers Minimum (lbs.)	1,760	1,760	1,650	1,540	1,430				
THIRD STAGE EXTENDED									
Working Radius (ft.)	3	3.5	4	5	6.5	8	9		
Outriggers Maximum (lbs.)	2,190	2,190	2,190	2,190	1,760	1,430	1,280		
Outriggers Minimum (lbs.)	1,760	1,760	1,540	1,540	900	630	510		
FOURTH STAGE EXTENDED									
Working Radius (ft.)	3	6	6.5	8	9	10	11	13	
Outriggers Maximum (lbs.)	1,870	1,870	1,760	1,430	1,280	1,170	880	710	
Outriggers Minimum (lbs.)	1,100	1,100	900	630	470	420	320	250	
FIFTH STAGE EXTENDED									
Working Radius (ft.)	8	8.5	9	10	11	13	15	16.5	17
Outriggers Maximum (lbs.)	1,460	1,460	1,280	1,170	900	730	600	460	440
Outriggers Minimum (lbs.)	790	710	490	420	320	230	180	140	140

WORKING RADIUS



URW094CE MINI-CRAWLER CRANE

Engine / Motor	Type:	Battery Powered 110V Charging System Zero Emissions
Crane Capacity	Capacity:	2,190 lbs. @ 4.9 ft.
Max Working Radius	Maximum:	.5 to 18 ft.
Max Lifting Height	Approximate:	22 ft Above Ground Level 34.5 ft Below Ground Level (with 2-Part Line)
Turning Radius (ft.)	Minimum:	360°
Dimensions (ft.)	Folded: (w x h x l)	1.9 ft x 6.1 ft x 4.2 ft
Weight	Unloaded:	2,400 lbs.
Outrigger		62 Available Positions (See Chart)
Winch	Hoisting Speed:	55 ft / Minute at 3rd Layer (Single Line)
	Hook Speed:	28 ft / Minute at 3rd Layer (with 2-Part Line)
	Hook Block:	2,160lbs Capacity, Single Sheave with Safety Latch
Boom	Boom Type:	4-Section, Hydraulically Telescoping Boom with Box Construction
	Boom Length:	Retracted - 5.675 ft Extended - 22 ft
	Extending Speed:	12.34 ft / 17 sec
	Raising Speed:	0° – 78° / 6.5 sec
Traction System	Travel speed:	0 to 1.37 mph
	Gradability:	20°
	Track Ground Pressure:	5.26 psi
Hydraulics	Hydraulic Cylinders:	7 Total: Boom Raising - 1 Boom Telescoping - 2 Outrigger - 4
	Pump Pressure:	3,133 psi
	Pump Delivery:	5.2835 gal / Minute
	Hydraulic Oil Tank:	4.5 Gal Capacity
	Pressure Relief Valve Settings:	Travel - 3,133 psi Crane - 2,988 psi
Safety Devices:	<ul style="list-style-type: none"> Onboard Self-Diagnostic Computer Pressure Relief Valve for hydraulic circuit Counterbalance Valves for boom cylinders Double Pilot-Operated Check Valves for outrigger cylinders Boom Angle Indicator with Load Indicator Hook Safety Latch Automatic Stop and Alarm for Overwinding Automatic Stop for leaving Minimum Wire Rope Emergency Stop Button Interlock Devices for crane, crawling levers and outriggers Bubble-style Level for outrigger leveling 	
Optional Accessories:	<ul style="list-style-type: none"> Mylar® Non-Marking Tracks SPYDERWEB Glass Handler Searcher Hook Custom Tandem Axle Trailer Single-Line Swivel Mini-Ball Boom Tip Work Basket 	

SPYDERCRANE
RETOOLING INDUSTRIES
by **UNIC**

Visit us on the web at

SPYDERCRANE.COM

Product specifications are subject to change without notice. No specific training or license is required to operate the SPYDERCRANE in most areas, but operators are responsible for knowing and meeting all safety requirements and regulations.

Distributed by **Smiley Lifting Solutions** | 5326 W. Mohave Street | Phoenix, AZ 85043 | **800.452.5011**